



SF 98 E2 HD

Full HD Satellite Receiver



Precautions

1. Important Safety Instructions

- Read these instructions.
- Keep these instructions.
- Heed all warnings.
- Follow all instructions.
- Do not use this apparatus near water.
- Clean only with dry cloth.
- Do not block any ventilation openings. Install in accordance with the manufacturer's instructions.
- Do not install near any heat sources such as radiators, heat registers, stoves, or other apparatus (including amplifiers) that produce heat.
- Do not reverse the safety purpose of the polarized or grounding-type plug. A polarized plug has two blades with one wider than the other. A grounding type plug has two blades and a third grounding prong. The wide blade or third prong is provided for your safety. If the provided plug does not fit into your outlet, consult an electrician for replacement of the obsolete outlet.
- Protect the power cord from being walked on or pinched particularly at plugs, convenience receptacles, and the point where they exit from the apparatus.
- Only use attachments/accessories specified by the manufacturer.
- Use only with the cart, stand, tripod, bracket, or table specified by the manufacturer, or sold with the apparatus. When a cart is used, use caution when moving the cart/apparatus combination to avoid injury from tip-over.



- Unplug this apparatus during lightning storms or when unused for long periods of time.
- Refer all servicing to qualified service personnel. Servicing is required when the apparatus has been damaged in any way, such as power-supply cord or plug is damaged, liquid has been spilled or objects have fallen into the apparatus, the apparatus has been exposed to rain or moisture, does not operate normally, or has been dropped.

WARNING : *To Prevent fire or shock hazard do not expose the set to rain or moisture.*

2. Notice

- These servicing instructions are for use by qualified service personnel only. To reduce the risk of electric shock, do not perform any servicing other than that contained in the operating instructions unless you are qualified to do so.
- The apparatus shall not be exposed to dripping or splashing and that no objects filled with liquids, such as vases, shall be placed on the apparatus.
- The mains plug is used as the disconnect device. The disconnect device shall remain readily operable.



To reduce the risk of electric shock, do not remove the cover (or back). No user serviceable parts are inside. Refer servicing to qualified service personnel.



The Lightning Flash with arrowhead symbol within an equilateral triangle, is intended to alert the user to the presence of un-insulated "dangerous voltage" within the product enclosure that may be of sufficient magnitude to constitute a risk of shock to persons



The exclamation point within an equilateral triangle is intended to alert the user to the presence of important operating and maintenance (servicing) instructions in the literature accompanying the product

3. Copyright

This manual is protected by copyright laws. Copy, use and reproduction of this manual in part or whole without Manufacturer's prior written approval are prohibited.

4. Disclaimer

The manufacturers, distributors and agents are not liable to any kind of damage caused by the use of the information contained in this manual. The instruction and descriptions which this manual contains are based on the time of this manual's production. The manufacturer constantly updates it with new functions and technology. All the specifications are subject to change without prior notice.

5. Trademarks



HDMI, the HDMI logo and High-Definition Multimedia Interface are trademarks or registered trademarks of HDMI Licensing LLC



Manufactured under license from Dolby Laboratories. Dolby and the double-D symbol are trademarks of Dolby Laboratories.

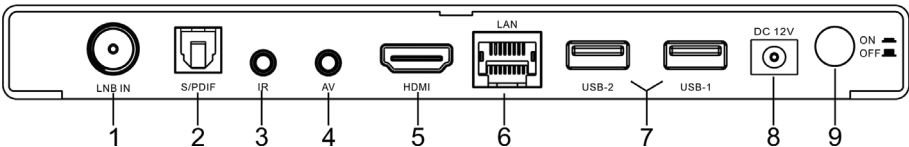
Product Description

1. Front Panel Configuration



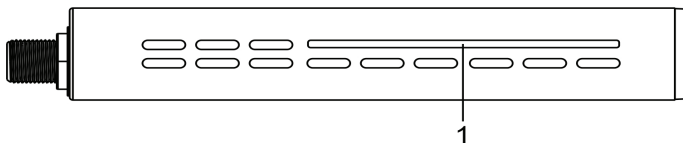
1. **Remote Sensor** : Receives signal from remote control unit.
2. **LOCK / STANDBY Indication LED (GREEN / RED)** : The LED (GREEN) lights on when the signal is locked. / The LED (RED) lights on in standby mode.

2. Rear Panel Configuration



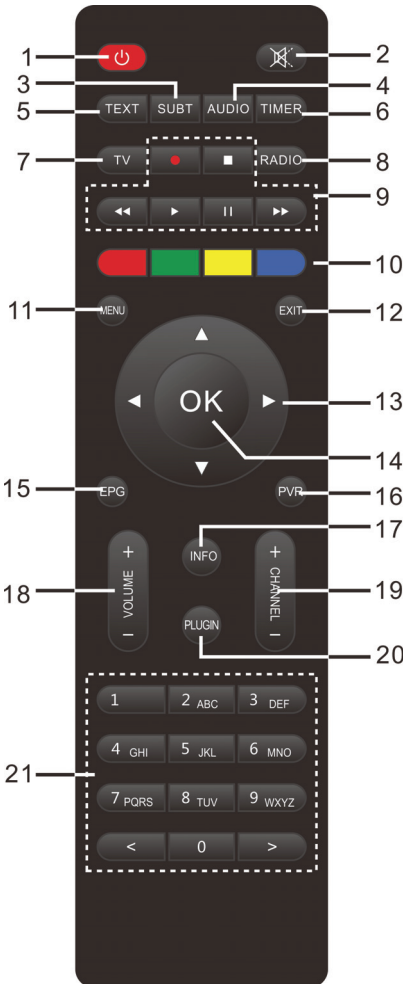
1. **LNB IN** : Use to connect a satellite antenna.
2. **SPDIF** : Connects to the audio system using a S/PDIF cable (digital audio).
3. **IR** : External infrared port.
4. **A/V OUT** : Connects to the TV or VCR using an optional AV cable
(Stereo audio output: White, Red / Composite video output: Yellow)
5. **HDMI** : Connects to the TV by using a HDMI cable for the best quality picture and audio.
6. **LAN** : Local area network port for direct computer connection.
7. **USB** : Use it when connecting to external USB storage device.
8. **D/C power socket** : Connects the adaptor.
9. **Power Button** : Press to switch between STANDBY and POWER ON modes.

3. Left-side Panel Configuration



1. **Smart Card Reader** : Insert smart card for encrypted service access.

4. Remote Control



1. Power on/off

2. Mute: Silences the audio temporarily.

3. Subt: Press to view subtitles (Closed Captions).

4. Audio: Displays the audio settings.

5. Text: Displays the teletext information of the current channel if the channel provides teletext.

6. Timer

7. TV: Displays the TV channel list.

8. Radio: Displays the Radio channel list.

9. Functions keys: Special keys designated for playing or viewing the files stored in a USB drive, or for recording programs to a USB drive.

Recording ●: Displays instantly the recording menu.

Stop ■: Stops playing of a recording and goes to the live mode.

Fast Rewind ◀◀

Play ▶: Play the selected file (e.g. recording) at the normal speed.

Pause ||: Pauses the live program or recording play

Fast Forward ▶▶

10. Color Keys: Each key is assigned a specific function that may be different in each menu.

- A Red
- B Green
- C Yellow
- D Blue

11. Menu: Displays the main menu.

12. Exit: Exits the current menu option into the live mode or switches one step back of the menu.

13. Navigation Keys: Navigates up/down and left/right on the menu options. Up/down keys are used to call up the channel list.

14. OK: Confirms the selected menu option.

15. EPG: Press to display the Electronic Program Guide.

16. PVR

17. Info: Displays the actually program information.

18. Volume +/-: Adjusts the audio volume.

19. Channel +/-: Zapping between the channels.

20. PlugIn

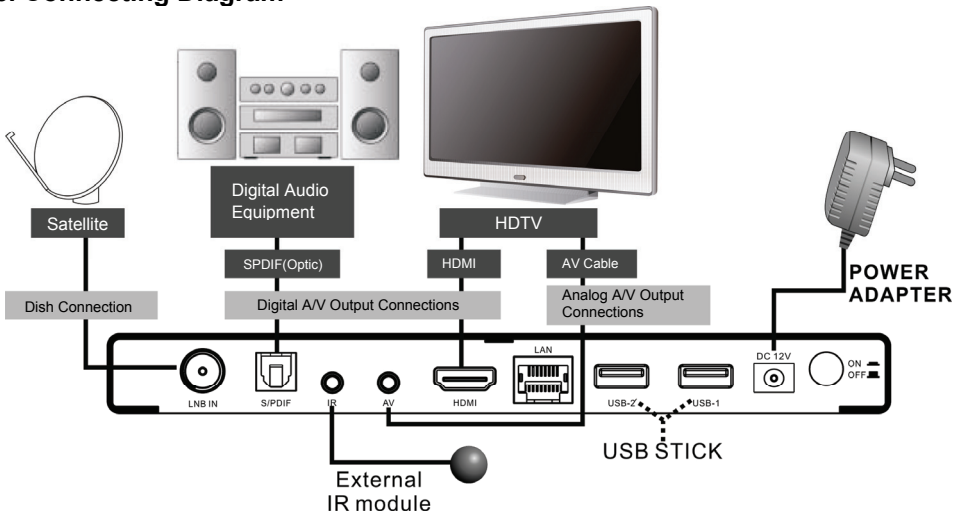
21. Numeric Keys: Enters a channel number or numbers required to be input according to the menu options.

5. Packaging Contents



** Please check all package contents before using your product.*

6. Connecting Diagram



Satellite Antenna Connection

- Connect the cable from the satellite antenna to LNB IN.

Digital A/V Output Connections

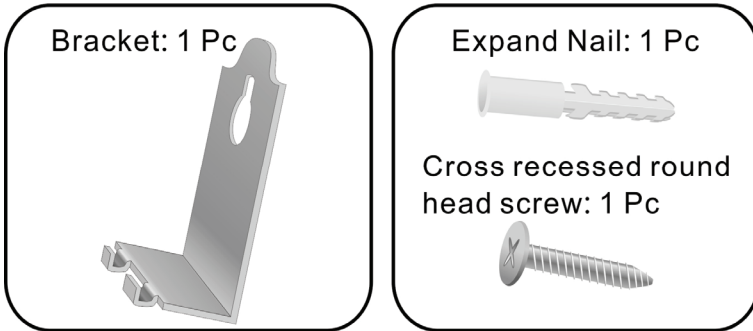
- Connect the HDMI Cable to the HDMI Connector of your TV.
- Connect SPDIF to Digital audio input of the equipment. (Digital Audio)

Analog A/V Output Connections

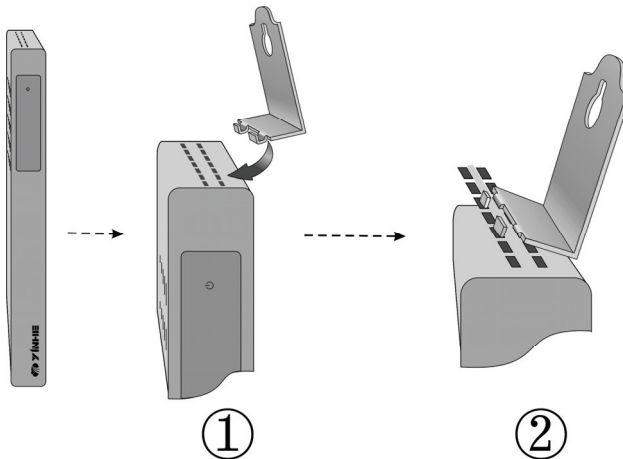
- Connect the AV to the RCA input of your TV.

7. Wall mounted bracket of Digital Satellite Receiver

1) Accessories



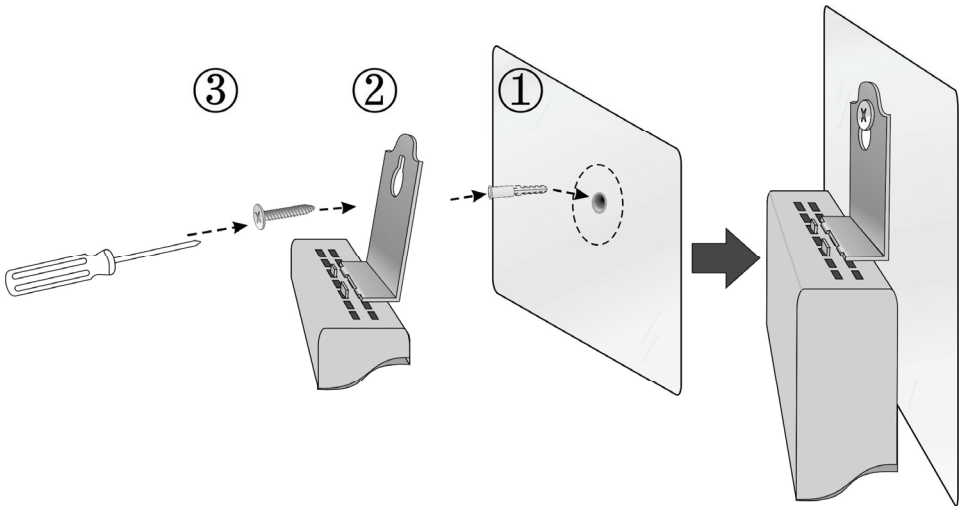
2) How to install



How to install hook

Step 1: Put STB vertically.

Step 2: Connect bracket and STB as above step 1 and step 2. Please install the bracket in the middle of the STB.

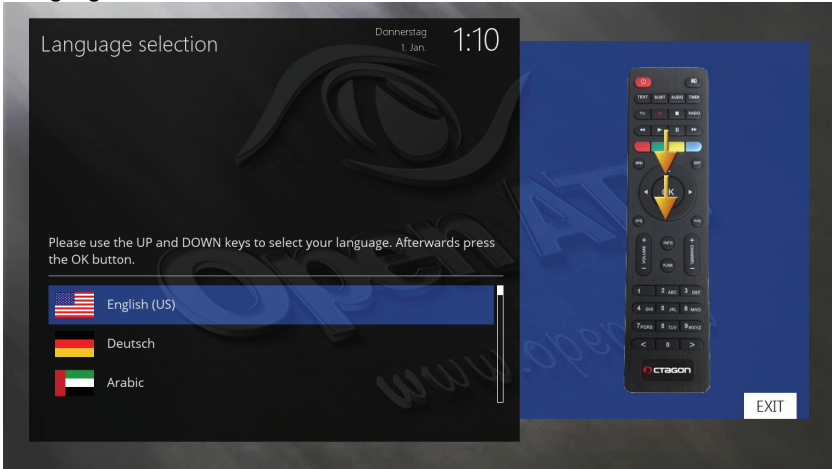


Fasten bracket

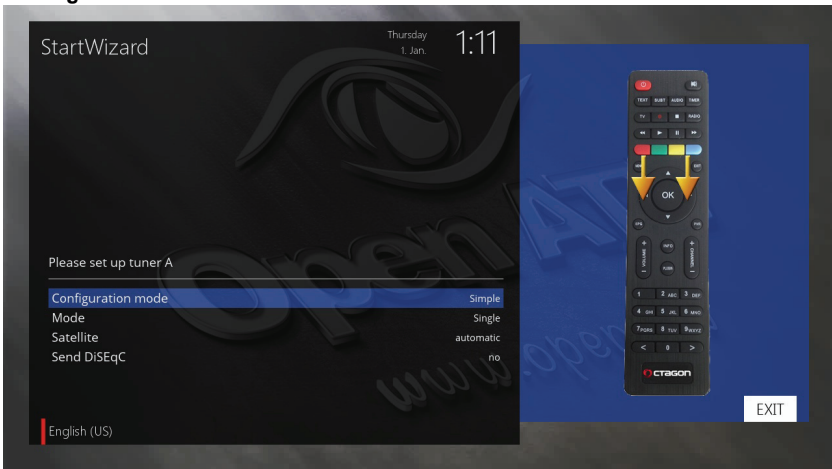
- Step 1:** Please drill a hole on the wall which you are going to mount the bracket (Please choose the proper position), then put expand nail into the hole for fastening screw.
- Step 2:** Please connect the hook with STB correctly (Refer to how to install hook)
- Step 3:** Get a pcs of cross recessed screw, whose head should be bigger than the hold of bracket, fix the screw as above steps.

8. Run First Time Installation

Step 1: Language Selection



Step 2: Configuration Satellite Connection



Using LEFT/RIGHT key, you can choose one of the following Configuration Modes:

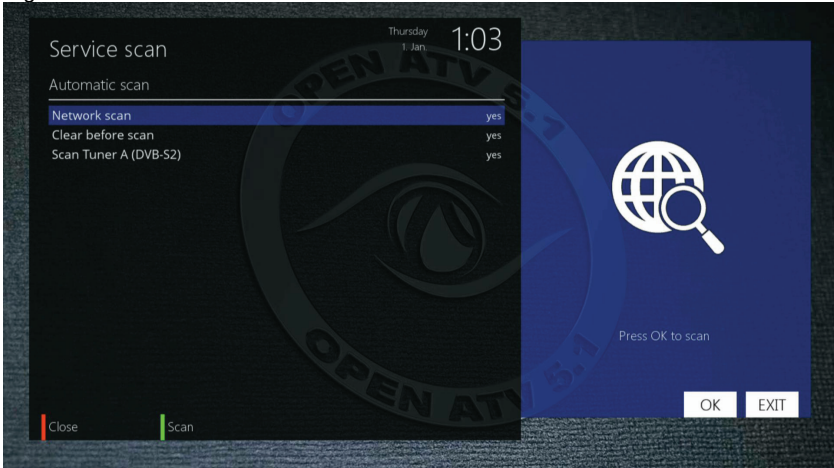
- Simple
- Advanced: for an advanced user configuration
- not configured

Step 3: Channel Scan

- Selecting Scan Mode - Automatic Scan / Manual Scan

Channel scanning is possible either in Automatic Scan mode or Manual Scan mode.

If you choose Automatic Scan, you will be asked whether to erase all the existing channels before scanning.



Press OK to initiate the channel scan.

- Channel Scanning

The scanned channels will be displayed if the previous configurations have been done correctly.

Step 4: Parental Control Option

Here you can choose whether to enable the parental control option. If you press OK, you will be asked to enter PIN number.

